

## Technical Information

**Compact energy efficient LED Luminaire  
for slim furniture integration**



## **Tender text**

- real 20 W halogen low voltage downlight replacement → high lumen output powered by OSRAM OSOLON LED
- sustainable and energy saving → luminaire efficacy 50 lm/W and up to 70% savings
- direct connection to mains voltage → power supply integrated
- fits in 16 mm shelves → due to its extreme low installation depth of just 13 mm
- economical → less than 1,5 years pay back time

## Table of contents:

<b>Tender text</b> .....	<b>1</b>
<b>A) Technical Information</b> .....	<b>2</b>
1) Housing, Mounting and Accessories .....	2
2) Electrical Installation .....	3
3) Optical features .....	4
4) Control .....	5
<b>B) Logistic Data</b> .....	<b>5</b>

# LEDVANCE<sup>®</sup> Downlight S

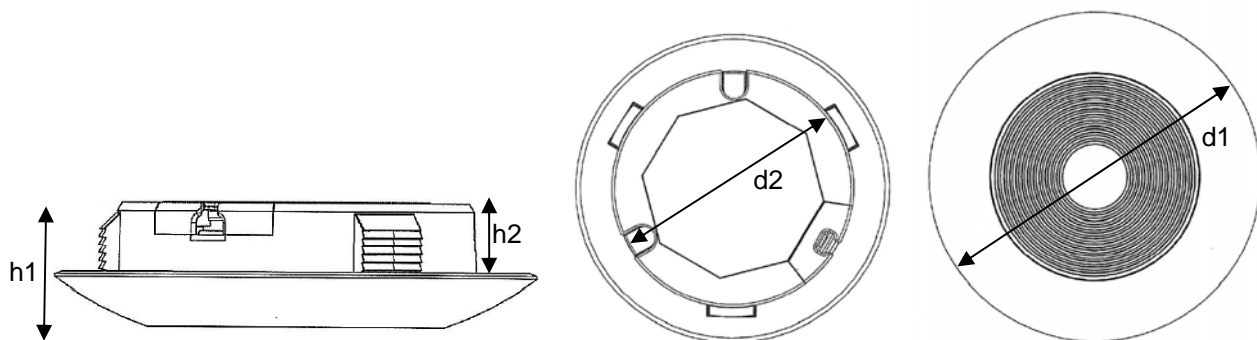


## A) Technical Information

### 1) Housing, Mounting and Accessories

Product name	LEDVANCE <sup>®</sup> Downlight S
Body material	Aluminium
Ring colour	1. white RAL 9016 matt or 2. anodized aluminium
Cover material	Polymer
Type of cover	clear
Symmetry	Symmetric
Adjustable	No

Total Height h1 [mm]	23 mm
Total Diameter d1 [mm]	88 mm
Backside depth h2 [mm]	13 mm
Backside diameter d2 [mm]	66 mm
Cut out diameter [mm]	68 mm



Mounting type	Recessed
Net weight [g]	160
Ceiling thickness [mm]	> 15 mm

# LEDVANCE<sup>®</sup> Downlight S

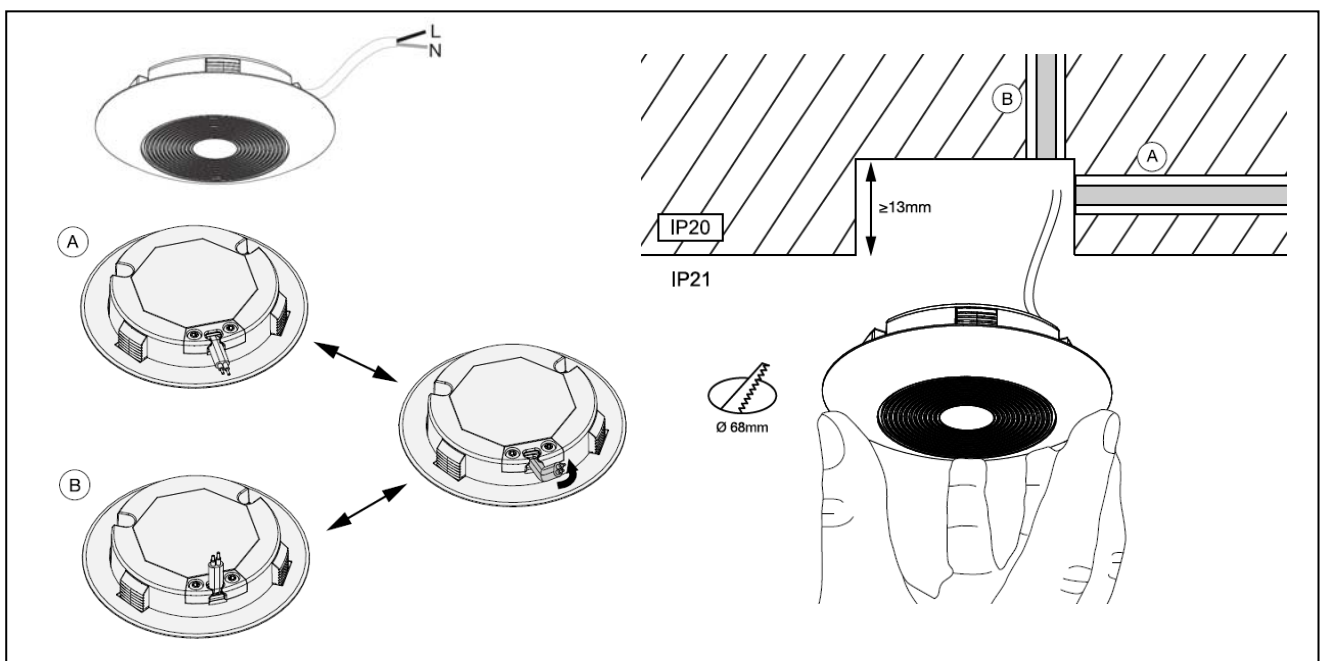


Protection class	II
Type of protection (IP code)	IP 21 accessible part, IP20 recessed part
Protection against ignition and fire	F, MM
Glow Wire Test according to IEC 695-2-1 (> 650°C)	960 °C
Approval marks	ENEC, CE
Body temperature	< 90°C
Ambient temperature	25°C
Luminaire efficiency [lm/W]	50 lm/W

## 2) Electrical Installation

- Mains voltage luminaire with on/off functionality

Product name	LEDVANCE <sup>®</sup> Downlight S
Nominal wattage [W]	6,5 W
Mains voltage [V]	220-240 V
Mains frequency [Hz]	50-60 Hz
Type of cable	HO3VVH2-F 2x0.75 mm <sup>2</sup> (included)
Cable length [mm]	1000 mm
Type of connection	Open wires with cable ends



# LEDVANCE<sup>®</sup> Downlight S

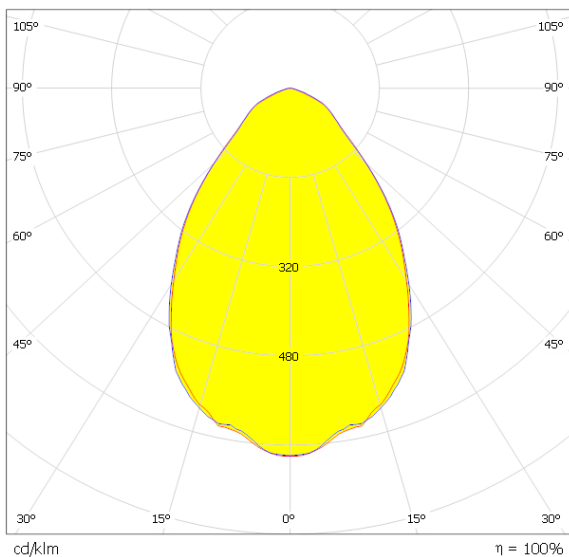


## 3) Optical features

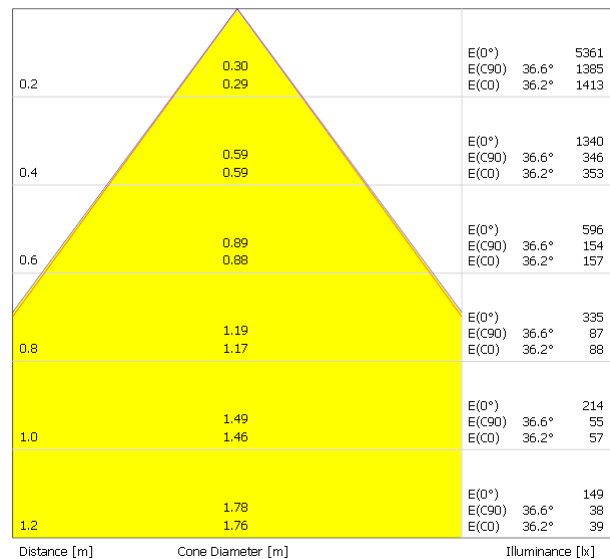
- OSRAM OSOLON LED inside
- High efficient reflector system

<b>Product name</b>	<b>LEDVANCE<sup>®</sup> Downlight S</b>
<b>LED type</b>	OSOLON
<b>Lifetime LED</b>	20.000 h (L70)
<b>Light color</b>	White
<b>Color rendering index (CRI)</b>	> 80
<b>Color temperature [K]</b>	3000 K; 4000 K
<b>Beam angle [°]</b>	80°
<b>Luminous flux [lm]</b>	325 lm
<b>Luminous intensity [cd]</b>	214 cd

**Polar diagram:**



**Cone diagram:**



# LEDVANCE<sup>®</sup> Downlight S



## 4) Control

- Mains voltage luminaire with on/off functionality

Product name	LEDVANCE <sup>®</sup> Downlight S
Ballast / Control gear	Integrated ECG
Permissible sinusoidal operating voltage [V <sub>AC</sub> ]	220-240V
Dimmable	No

## B) Logistic Data

Product reference	Product number (EAN 10)	Color	Light color	SU
LEDVANCE <sup>®</sup> DOWNLIGHT S 830 L80 AL	4008321968623	anodized aluminium	3000 K	4x1
LEDVANCE <sup>®</sup> DOWNLIGHT S 830 L80 WT	4008321968630	white	3000 K	4x1
LEDVANCE <sup>®</sup> DOWNLIGHT S 840 L80 AL	4008321968647	anodized aluminium	4000 K	4x1
LEDVANCE <sup>®</sup> DOWNLIGHT S 840 L80 WT	4008321968654	white	4000 K	4x1

AL	anodized aluminium
WT	white
830	CRI 80, warm white 3000 K
840	CRI 80, cool white 4000 K
L80	80° beam angle